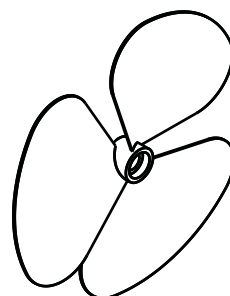
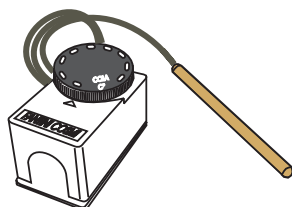


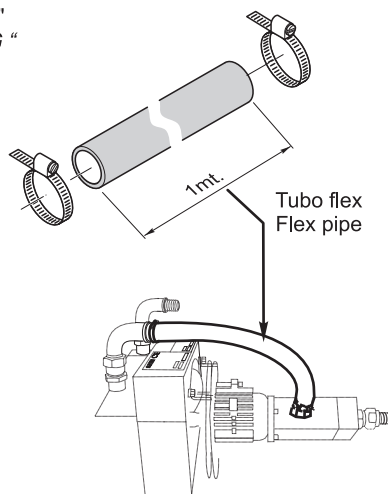
Quadretto elettrico " NE/NEG "  
Electric Control Panel " NE/NEG "  
1QE...



Ventola  
Fan



Sonda termostato  
Thermostat sensor



Tubo flex  
Flex pipe

descrizione	description	codice / code
ventola CST/NE/NEG 6000 50 HZ	fan CST/NE/NEG 6000 50 HZ	R1 0990 126
ventola CST/NE/NEG 6000 60 HZ	fan CST/NE/NEG 6000 60 HZ	R1 0990 718
ventola CST/NE/NEG 14000 50 HZ	fan CST/NE/NEG 14000 50 HZ	R1 0990 041
ventola CST/NE/NEG 14000 60 HZ	fan CST/NE/NEG 14000 60 HZ	R1 0990 719
ventola NE/NEG 3500 50 HZ	fan NE/NEG 3500 50 HZ	R1 0990 914
ventola NE/NEG 3500 60 HZ	fan NE/NEG 3500 60 HZ	R1 0990 915
unità radiante CST/NE/NEG 6000	radiating unit CST/NE/NEG 6000	R1 0990 125
unità radiante CST/NE/NEG 14000	radiating unit CST/NE/NEG 14000	R1 0990 121
unità radiante NE/NEG 3500	radiating unit NE/NEG 3500	R1 0990 916
sonda termostato NE/NEG 3500-6000-14000	thermostat sensor NE/NEG 3500-6000-14000	R1 0160 120
quadrett. 1QEP 380/415-50/60 HZ - NE/NEG	control. 1QEP 380/415-50/60 HZ - NE/NEG	R7 0160 001
quadrett. 1QEQ 208/230-50/60 HZ - NE/NEG	control. 1QEQ 208/230-50/60 HZ - NE/NEG	R7 0160 002
quadrett. 1QER 220/230-50/60 HZ - NE/NEG	control. 1QER 220/230-50/60 HZ - NE/NEG	R7 0160 003
quadrett. 1QET 575 - 50/60 HZ - NE/NEG	control. 1QET 575 - 50/60 - NE/NEG	R7 0160 004
quadrett. 1QES 440/480-50/60 HZ - NE/NEG	control. 1QES 440/480-50/60 HZ - NE/NEG	R7 0160 005
Tubo flex e Fascette metallo	Flex Pipe and fixing	R8 0160 004