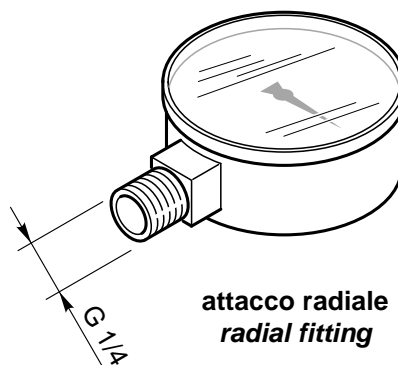
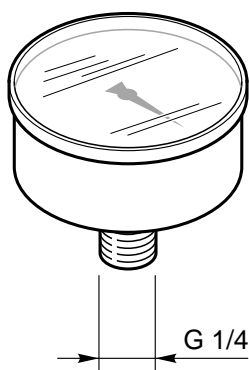


**attacco assiale
axial fitting****attacco radiale
radial fitting**

| descrizione | description | codice / code |
|---|--|----------------------|
| manometro 0 ÷ 100 bar (0 ÷ 10 MPa) attacco assiale G 1/4" PZ.5 | manometer 0 ÷ 100 bar (0 ÷ 10 MPa) axial fitting G 1/4" PIECES 5 | R8 0070 010 |
| manometro 0 ÷ 100 bar (0 ÷ 10 MPa) attacco radiale G 1/4" PZ.5 | manometer 0 ÷ 100 bar (0 ÷ 10 MPa) radial fitting G 1/4" PIECES 5 | R8 0070 011 |
| manometro 0 ÷ 100 bar (0 ÷ 1500 PSI) attacco assiale G 1/4" PZ.5 | manometer 0 ÷ 100 bar (0 ÷ 1500 PSI) axial fitting G 1/4" PIECES 5 | R8 0070 012 |
| manometro 0 ÷ 100 bar (0 ÷ 1500 PSI) attacco radiale G 1/4" PZ.5 | manometer 0 ÷ 100 bar (0 ÷ 1500 PSI) radial fitting G 1/4" PIECES 5 | R8 0070 015 |

Imballo: sacchetto polietilene 200 x 150 / packing: polyethylene bag 200 x 150

| descrizione | description | codice / code |
|---|--|----------------------|
| manometro 0 ÷ 100 bar (0 ÷ 10 MPa) attacco assiale G 1/4" PZ.1 | manometer 0 ÷ 100 bar (0 ÷ 10 MPa) axial fitting G 1/4" PIECES 1 | R8 0070 001 |
| manometro 0 ÷ 100 bar (0 ÷ 10 MPa) attacco radiale G 1/4" PZ.1 | manometer 0 ÷ 100 bar (0 ÷ 10 MPa) radial fitting G 1/4" PIECES 1 | R8 0070 002 |
| manometro 0 ÷ 100 bar (0 ÷ 1500 PSI) attacco assiale G 1/4" PZ.1 | manometer 0 ÷ 100 bar (0 ÷ 1500 PSI) axial fitting G 1/4" PIECES 1 | R1 0070 003 |
| manometro 0 ÷ 100 bar (0 ÷ 1500 PSI) attacco radiale G 1/4" PZ.1 | manometer 0 ÷ 100 bar (0 ÷ 1500 PSI) radial fitting G 1/4" PIECES 1 | R1 0070 004 |