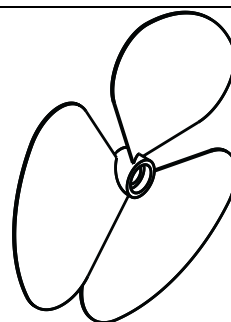
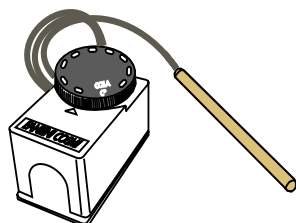


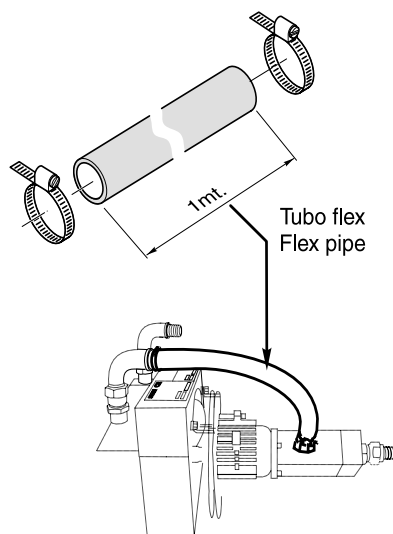
Pannello di controllo " NE "
 Control Panel " NE "
 1QE...



Ventola
 Fan



Sonda termostato
 Thermostat sensor



Tubo flex
 Flex pipe

descrizione	description	codice / code
ventola CST/NE 6000 50 HZ	fan CST/NE 6000 50 HZ	R1 0990 126
ventola CST/NE 6000 60 HZ	fan CST/NE 6000 60 HZ	R1 0990 718
ventola CST/NE 14000 50 HZ	fan CST/NE 14000 50 HZ	R1 0990 041
ventola CST/NE 14000 60 HZ	fan CST/NE 14000 60 HZ	R1 0990 719
ventola NE 3500 50 HZ	fan NE 3500 50 HZ	R1 0990 914
ventola NE 3500 60 HZ	fan NE 3500 60 HZ	R1 0990 915
unità radiante CST/NE 6000	radiating unit CST/NE 6000	R1 0990 125
unità radiante CST/NE 14000	radiating unit CST/NE 14000	R1 0990 121
unità radiante NE 3500	radiating unit NE 3500	R1 0990 916
sonda termostato NE 3500-6000-14000	thermostat sensor NE 3500-6000-14000	R1 0160 120
quadretto 1QEP 380/415-50/60 HZ - NE	controller 1QEP 380/415-50/60 HZ - NE	R7 0160 001
quadretto 1QEQ 208/230-50/60 HZ - NE	controller 1QEQ 208/230-50/60 HZ - NE	R7 0160 002
quadretto 1QER 220/230-50/60 HZ - NE	controller 1QER 220/230-50/60 HZ - NE	R7 0160 003
quadretto 1QET 575 - 50/60 HZ - NE	controller 1QET 575 - 50/60 - NE	R7 0160 004
quadretto 1QES 440/480-50/60 HZ - NE	controller 1QES 440/480-50/60 HZ - NE	R7 0160 005
pompa NE 6000	pump NE 6000	R8 0160 001
pompa NE 14000	pump NE 14000	R8 0160 002
Tubo flex e Fascette metallo	Flex Pipe and fixing	R8 0160 004