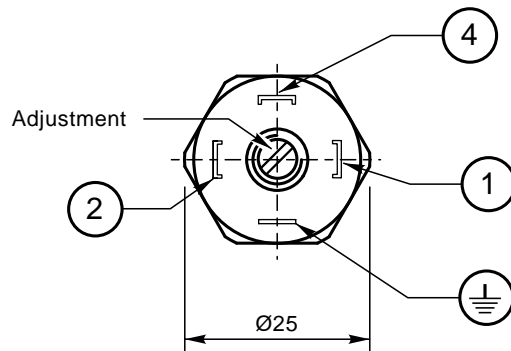
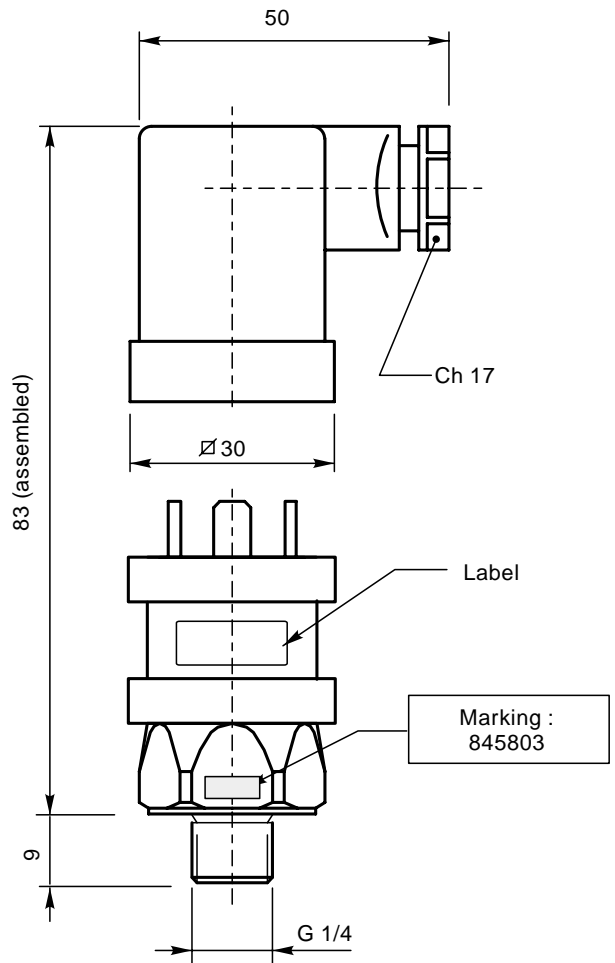


1 - 2 = normally closed
 (P pressure = 0)
 1 - 4 = normally open



TECHNICAL SPECIFICATION	
MAXIMUM CONTACT RATING	alternate current 250V - max 4 A
INSULATIONS CLASS	IP 65
COMMUTATION FREQUENCY	200 cycles/min
WORKING TEMPERATURE	-30 °C ÷ +100 °C
ENDURANCE	10 ⁶ cycles - 50 bar
WORKING PRESSURE RANGE	1 ÷ 10 bar
MAXIMUM PRESSURE	300 bar
SWITCHING ACCURACY	± 0,5 - 1,0 % of set pressure
FIXED VALUE (HISTERESYS)	10 ÷ 30 % adjustable